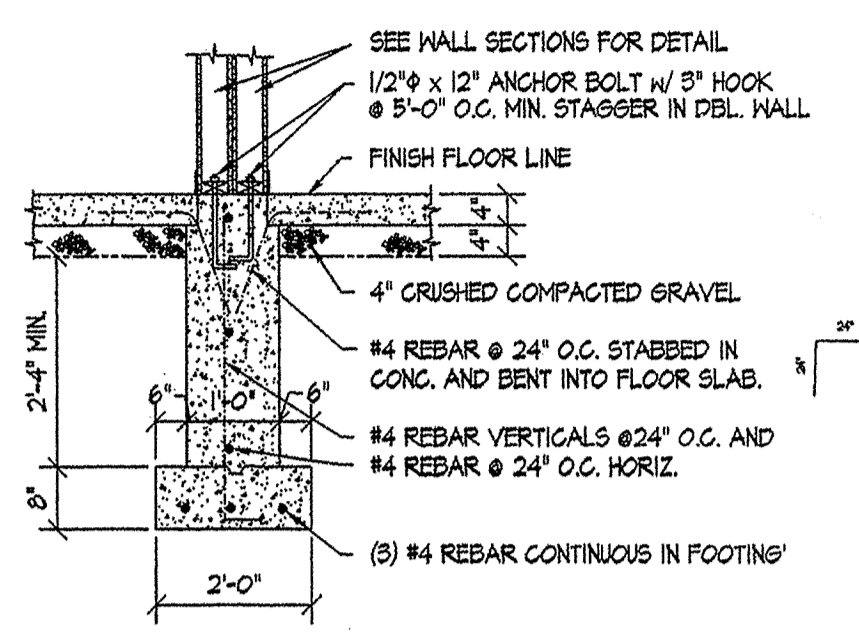
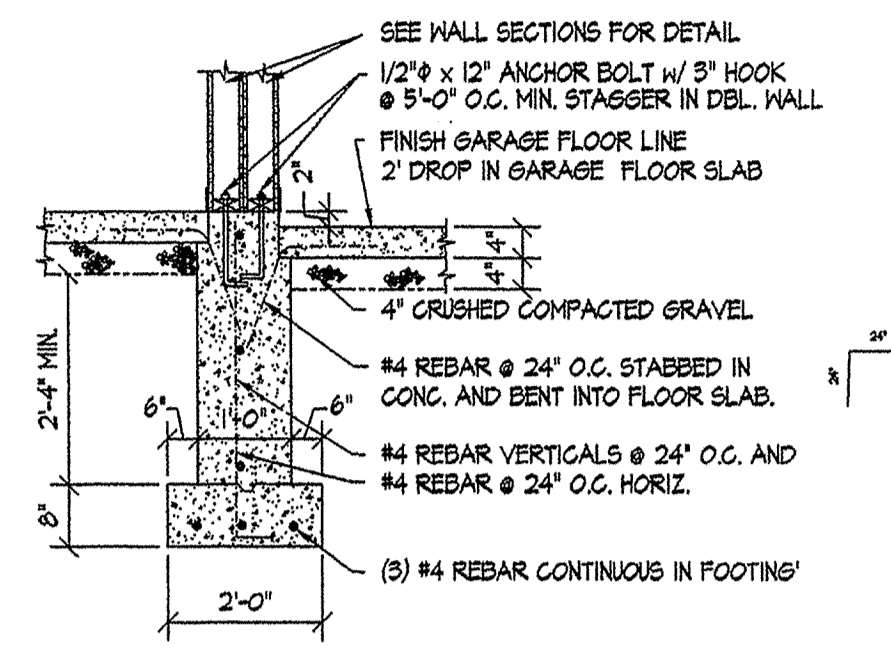


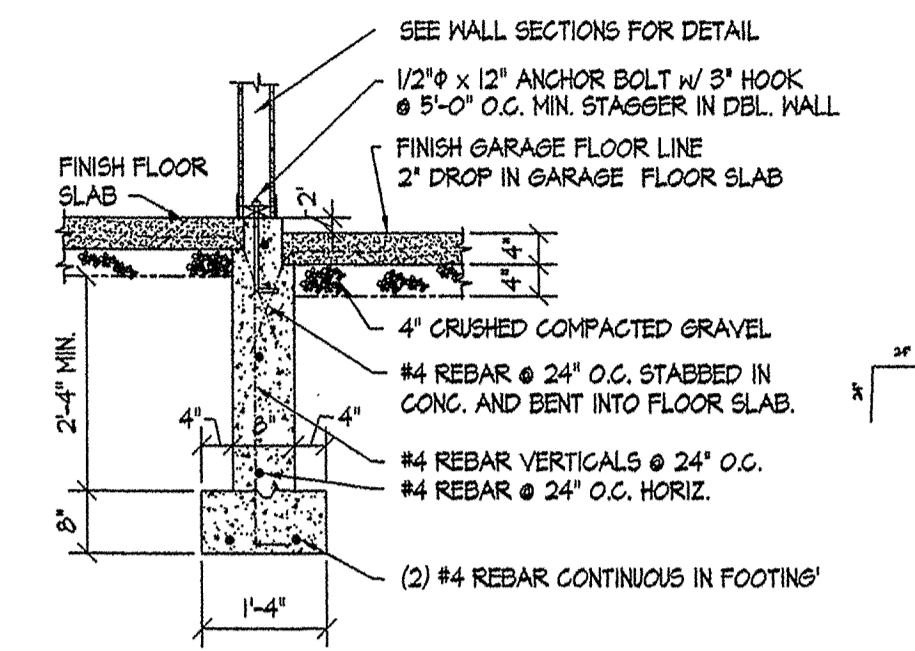
1 FOOTING DETAIL  
B2 SCALE: 1/2" = 1'-0"



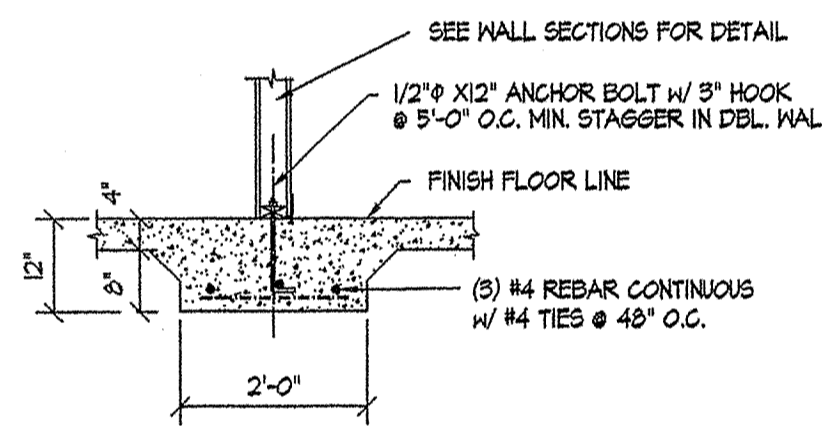
2 FOOTING DETAIL  
B2 SCALE: 1/2" = 1'-0"



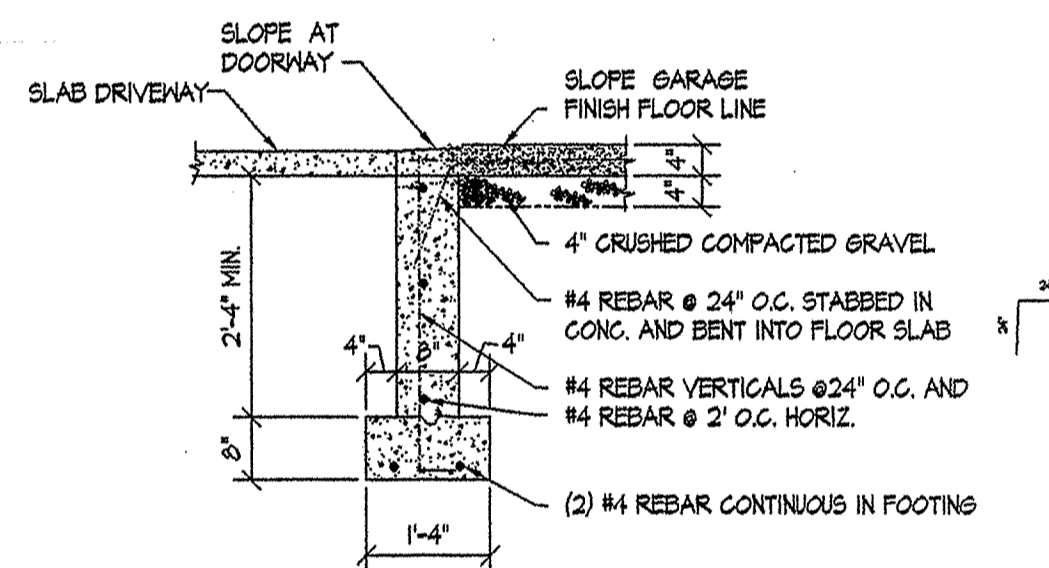
3 FOOTING DETAIL  
B2 SCALE: 1/2" = 1'-0"



4 FOOTING DETAIL  
B2 SCALE: 1/2" = 1'-0"



5 FOOTING DETAIL  
B2 SCALE: 1/2" = 1'-0"



6 FOOTING DETAIL  
B2 SCALE: 1/2" = 1'-0"

FOR CONSTRUCTION